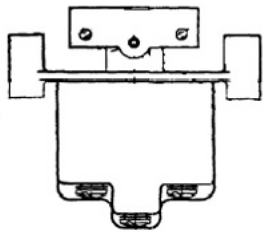




2TP8-1



TP Series Rocker Switch, 2 pole, 3 position, Screw terminal, Flush Panel Mounting

Actual product appearance may vary.

Features

- Environmentally sealed
- Two and three-position pushbutton action
- Various button colors
- 1, 2, and 4-pole circuitry
- Flush panel and above panel mountings
- Temperature range: -54 °C to +71 °C [-65 °F to +160 °F]
- UL recognized, CSA certified
- CE approved

Potential Applications

- Industrial machinery and equipment
- Military and commercial aviation
- Marine applications
- Construction equipment
- Test instruments
- Agricultural machinery
- Process control
- Medical instrumentation

Description

MICRO SWITCH™ TP Rocker switches may be mounted flush with panel for a low-button profile or above panel for a distinct button appearance. Buttons measure 22,1 mm x 37,1 mm [.87 in x 1.46 in]. They are removable and interchangeable, and come in transparent plastic, translucent plastic, and six colors of opaque plastic. Switches without buttons are also available, as well as separate buttons.

Product Specifications			
Circuitry/ Operating action	Keyway Position	Center Position	Opposite Keyway Position
		<p>1 2 3</p>	<p>1 2 3</p>
	<p>6 5 4</p> <p>ON</p>	<p>6 5 4</p> <p>OFF</p>	<p>6 5 4</p> <p>ON</p>

Product Type	MICRO SWITCH™ Rocker
Ampere/ Voltage Range (Resistive Load)	0.5 A at 250 Vdc,0.5 A to 20 A at 0.5 Vdc to 28 Vdc,0.5 A to 15 A at 0.5 Vac to 277 Vac,0.75 A at 115 Vdc
Circuitry	DPDT
Action	3 position
Mounting	Flush Panel
Termination	Screw
Button Type	No button
UL/CSA Rating Code	L191: 15 A-125, 250, 277 Vac; 1/2 Hp-125 Vac; 1 Hp-250, 277 Vac; 5 A-120 Vac "L"
Comment	Silver cadmium oxide contacts
Availability	Global
UNSPSC Code	302119
UNSPSC Commodity	302119 Switches and controls and relays
Series Name	TP

MICRO SWITCH
 FREEPORT ILLINOIS U.S.A.
 A DIVISION OF HONEYWELL
 FED MFG CODE 81928

**SWITCH- TOGGLE
 FLUSH KEY**

CATALOG LISTING
2TP8 SERIES
CHART 1

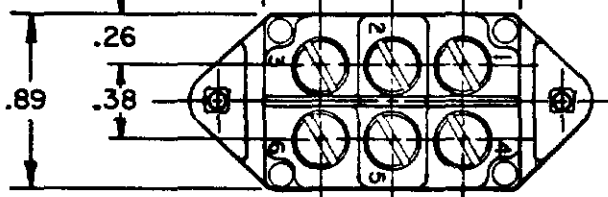
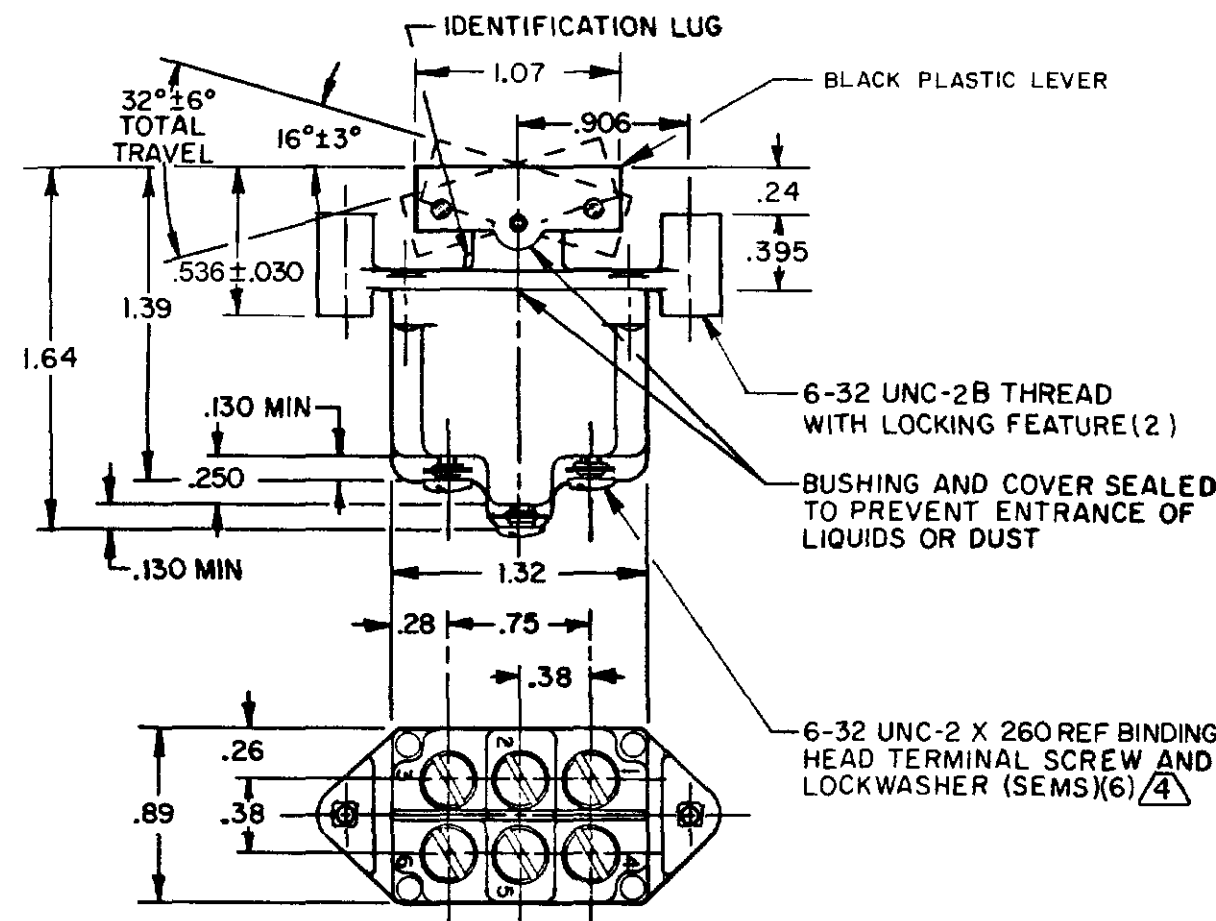
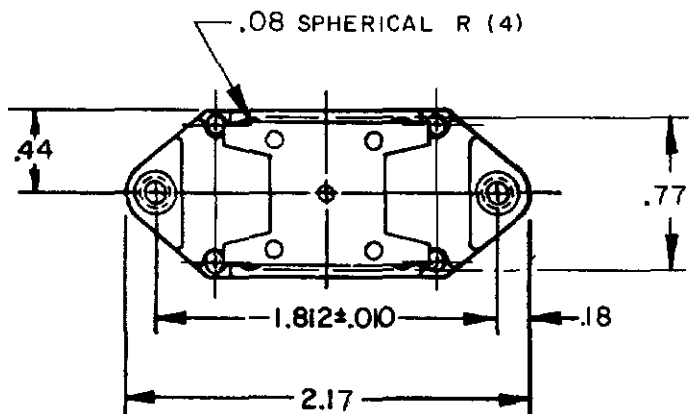
THIS DRAWING COVERS A PROPRIETARY ITEM AND IS THE PROPERTY OF MICRO SWITCH A DIVISION OF HONEYWELL THIS DRAWING IS NOT TO BE COPIED OR USED WITHOUT THE APPROVAL OF MICRO SWITCH.

CATALOG LISTING
2TP8 SERIES CHART 1
 PAGE 1 OF 1

ISSUE
M
 17

REVISIONS
 A C094415
 TSM
 24 NOV 99
 B 202714
 C SL
 3 APR 01

RASTER
 FO-32854-B
 DRAWN
 JM
 27 JAN 81
 CHECK
 GJH
 23 JAN 81
 CHECK
 KJC
 29 JAN 81
 CHECK
 KJC



CATALOG LISTING	3 CIRCUIT WITH BUTTON IN			ELECTRICAL DATA
	LUG SIDE (1-2, 4-5)	CENTER (1-2, 4-5)	OPPOSITE LUG (2-3, 5-6)	
2TP8-1	ON	OFF	ON	L 191 15A 125, 250, 277 VAC 1/2 HP 125 VAC, 1 HP 250, 277 VAC 5A 125 VAC "L" UL CS CE
2TP8-2	OFF	NONE	ON	
2TP8-3	ON	NONE	ON	
2TP8-21	NONE	OFF	ON	
①	NONE	ON	ON	
2TP8-4	MOM OFF	NONE	ON	L 192 10A 125, 250, 277 VAC 1/4 HP 125 VAC, 1/2 HP 250, 277 VAC 3A 125 VAC "L" UL CS CE
2TP8-5	MOM ON	OFF	ON	
2TP8-6	MOM ON	NONE	OFF	
2TP8-7	MOM ON	OFF	MOM ON	
2TP8-8	MOM ON	NONE	ON	
2TP8-51	NONE	ON	MOM ON	
2TP8-61	MOM ON	OFF	NONE	

- NOTES
 1 - THESE SWITCHES WILL WITHSTAND TEMPERATURE OF 160°F
 2 - MICRO SWITCH CATALOG LISTING MARKED ON SIDE OF SWITCH
 3 - APPLIES ONLY TO "ON" AND "MOMENTARY ON" POSITIONS
 4 - SCREWS FURNISHED UNASSEMBLED

THIRD ANGLE PROJECTION

SCALE FULL

DO NOT SCALE PRINT

TOLERANCES
 APPLY TO DESIGN UNITS. CONVERSIONS ARE ONLY FOR REFERENCE UNLESS NOTED TOLERANCES ARE 2

	DIM.	TOL.	DIM.	TOL.
	IN	MM/IN	IN	MM/IN
NO PLACES	X	1/64	X X	0.01/64
ONE PLACE	X,X	0.0010	X X X	0.0010/64
TWO PLACES	X,X,X	0.0008	X X X X	0.0008/64
THREE PLACES	X,X,X,X	0.0006	X X X X X	0.0006/64

DESIGN UNITS METRIC US CUSTOMARY

RAW MATERIAL—COMMERCIAL STANDARD
 MICRO SWITCH STANDARDS APPLY

DIMENSIONS ARE TO BE MET BEFORE
 PROTECTIVE COATINGS ARE APPLIED

WEIGHT 14 LB EST